

# MICCRA



原装德国

Labortechnik | Laboratory technology | 实验室仪器

Technikum | Pilot Plants | 中试产品

Prozesstechnik | Process technology | 工业混合分散设备

德国ART产品系列

The logo for ART, featuring the letters 'ART' in a large, bold, white sans-serif font. To the left of the letters is a stylized graphic element consisting of a thick white curved line that sweeps upwards and to the right, with three teal-colored dots positioned along its path. The background features a subtle grid of white lines that create a sense of depth and perspective.

The



# 优点 concept

基于轻便紧凑的设计，所有的MICCRA系列匀浆主机可以手持操作

By a light and compact design, all lab-drives of the MICCRA-Series can be used as hand-held units.

可连续调节、达39000rpm的高转速主机，可显著地减少处理时间、避免样品产生热应力疲劳

High-Speed-drives with continuously adjustable rpm-rates up to 39,000 rpm, reduce processing times significantly without thermal stressing of the sample material.

强力匀浆主机可适合大容量高粘度的应用，具有超宽的使用范围：从0.1ml到100l。

High power for handling large volumes and high viscosities. Unique application ranges from 0.1 ml up to 100l.

主机使用舒适安全、启动平稳

Comfortable and safe working with smooth start of the drive.

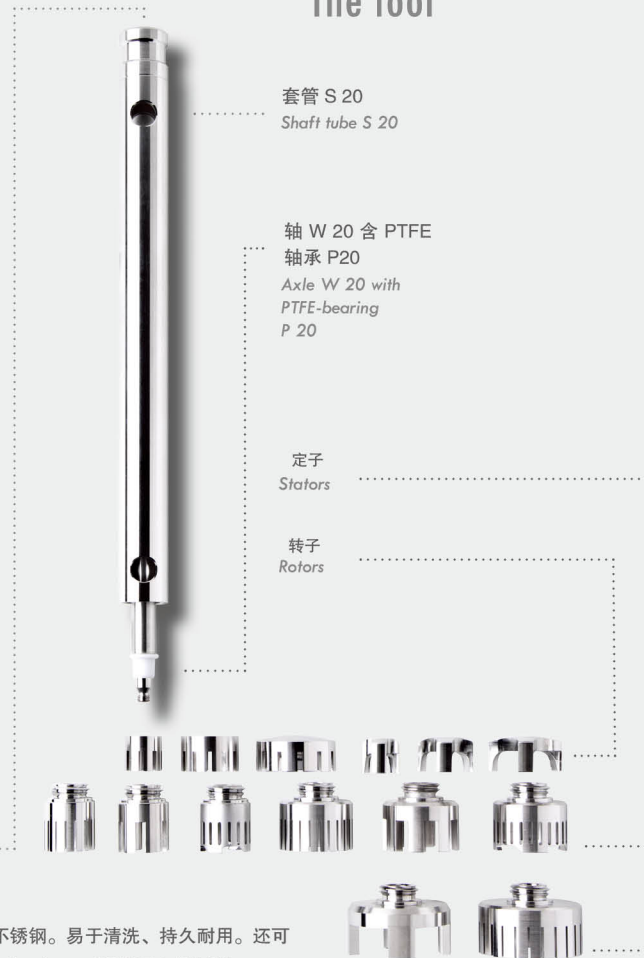
任意主机配合任意刀头使用

Uniform shaft size:  
Every drive fits to every tool combination of ART.

## 主机 The drive



## 刀头 The tool



套管 S 20  
Shaft tube S 20

轴 W 20 含 PTFE  
轴承 P20  
Axle W 20 with  
PTFE-bearing  
P 20

定子  
Stators

转子  
Rotors

高精度的刀头、最可靠的实验结果、最高的剪切速度

High precision tools for highest reliable results at highest peripheral speeds.

任意主机配合任意刀头使用

Due to a uniform shaft size, every tool combination fits to every drive within the MICCRA-series.

灵活的模块设计可实现：少投入，多收益。由不同转子、定子组合的刀头，无需大的付出，就可以覆盖所有应用。

Flexible modular system for high economy and small subsequent costs. By combination of different rotors and stators the tool can be adapted to nearly each range of application w.o. large expenditure.

快速拆换系统：所有元件、转子和定子只需轻轻松开，就可实现快速更换

Quick-Change-System: All elements, rotors and stators can be exchanged with a flick of the wrist in no time at all.

所有MICCRA系列刀头使用高品质的316L 不锈钢。易于清洗、持久耐用。还可根据需求，选用titanium钛、Hastelloy哈氏合金、Inconel英科乃尔等材料。

All tools of the MICCRA-Series are made of high-quality AISI 316L stainless steel. Easy to clean and long-lasting.

Upon request our tools are also available in titanium, Hastelloy, Inconel as well as other materials.

# MICCRA

匀浆主机

Dispersing and homogenizing drives



## MICCRA D-1

经济型匀浆主机MICCRA D-1 是一种小型的手持匀浆器。试样范围介于0.1到500ml。是特别为生物-基因技术的微量处理而开发。

这是一款经济型匀浆器，价格低廉，带“软触摸”外壳。比市场上其他同类产品更强力、速度更高。

*The economy drive MICCRA D-1 is a small hand-held dispersing and homogenizing device for volumes from 0.1 up to 500 ml. It was especially developed for volumes treated in the bio- and gene technology.*

*It's an economic drive for a small price with a „soft-touch“ housing. More powerful and high-speed than comparable systems on the market.*

输入功率 | Power input:  
输出功率 | Power output:  
处理量 | Volume range:  
转速范围 | Speed range:  
速度调节 | Speed adjustment:  
电子稳定装置 | Electronic stabilizer:  
重量 | Weight:  
机身尺寸 | Dimensions:  
保护等级 | Protection system/safety class:  
保修期 | Warranty:

145 Watt  
95 Watt  
0,1 - 500 ml  
14.000 - 34.000 rpm  
是 | Yes  
否 | No  
900 g  
直径 | Diameter 50 x 245 mm  
IP 20 / II  
1+1年 | 1+1 years



MICCRA D-1

MICCRA D-3/PA

## MICCRA D-3/PA

这是世界上第一款具有强劲动力的电池匀浆器。

其350瓦的驱动器甚至比一些品牌的主打产品还要强劲。

配备12伏的直流马达，可处理达5L的大容量样品。

*The first battery homogenizer with exclusive high power. This 350 watt drive is superior even to some mains operated devices.*

*An unmatched rpm to power ratio comes up by its 12V DC motor. It works up easily big sample volumes*

*This makes the homogenizing of up to 5.000 l possible with a 12V drive.*

输入功率 | Power input:  
输出功率 | Power output:  
处理量 | Volume range:  
转速范围 | Speed range:  
速度调节 | Speed adjustment:  
电子稳定装置 | Electronic stabilizer:  
重量 | Weight:  
机身尺寸 | Dimensions:  
保护等级 | Protection system/safety class:  
保修期 | Warranty:

350 Watt  
200 Watt  
0,1 - 5.000 ml  
18.000 rpm  
否 | No  
否 | No  
1,6 kg (mit Akku | with battery)  
66 x 66 x 225 mm  
IP 20 / II  
1+4年 | 1+4 years



## MICCRA D-9



轻巧，紧凑，结实和超高转速。就是这款不同凡响的匀浆器。适合所有实验室的通用实验。从农业技术到细胞生物。

超宽的使用范围：从0.1到20,00ml；并能得到绝好的实验结果。

*Light, compact, strong and extremely high speed.*

*These are the topics of this extraordinary drive which fits to all common laboratory applications from the agrarian technology to cell biology. A unique volume range from 0.1 up to 20.000 ml can be handled with this unit and its unequalled results.*

# MICCRA D-9



# MICCRA D-15

## MICCRA D-15

机身尺寸虽然小，却拥有真正强大动力的匀浆器。

作为MICCRA D-13的成功升级版。配备了性能稳定的一体化电子元件，加上功率为1,520瓦的强力马达，可以进行大容量的处理，即使粘度不断增加也可以保持恒定的转速。

*Despite its small size, this drive is a real high power unit.*

*The successor of the MICCRA D-13, with its integrated constant electronics and its more powerful 1520 Watt motor works out large volumes, keeping a constant speed even with increasing viscosities.*



输入功率 | Power input:  
输出功率 | Power output:  
处理量 | Volume range:  
转速范围 | Speed range:  
速度调节 | Speed adjustment:  
电子稳定装置 | Electronic stabilizer:  
重量 | Weight:  
机身尺寸 | Dimensions:  
保护等级 | Protection system/safety class:  
过载保护 | Overload protection:  
安全开关 | Safety switch:  
平稳启动 | Smooth start:  
保修期 | Warranty:

850 Watt  
495 Watt  
0,1 - 20.000 ml  
10.000 - 39.000 rpm  
是 | YES  
否 | NO  
1,4 kg  
66 x 66 x 232 mm  
IP 20 / II  
热感器 | Thermal sensor  
是 | YES  
是 | YES  
1+4年 | 1+4 years



输入功率 | Power input:  
输出功率 | Power output:  
处理量 | Volume range:  
转速范围 | Speed range:  
速度调节 | Speed adjustment:  
电子稳定装置 | Electronic stabilizer:  
重量 | Weight:  
机身尺寸 | Dimensions:  
保护等级 | Protection system/safety class:  
过载保护 | Overload protection:  
安全开关 | Safety switch:  
平稳启动 | Smooth start:  
保修期 | Warranty:

1.520 Watt  
900 Watt  
0,1 - 100.000 ml  
8.800 - 33.600 rpm  
是 | YES  
是 | YES  
2 kg  
70 x 70 x 270 mm  
IP 20 / II  
热感器 | Thermal sensor  
是 | YES  
是 | YES  
1+4年 | 1+4 years